

NAISH
HYDROFOIL SYSTEM
USER MANUAL

The background of the cover features a series of overlapping, curved geometric shapes in white and black, set against a light gray background. The shapes create a sense of motion and depth, reminiscent of the hydrofoil system's components or the water's surface.

TABLE OF CONTENTS

| | |
|------------------------------------|----|
| RELEASE AGREEMENT | 3 |
| INSTRUCTIONS | |
| Assembled Foil System..... | 4 |
| Required Tools & Hardware | 5 |
| Assembly Instructions | 6 |
| Assembly Diagram | 7 |
| Abracadabra Plate | 8 |
| Abracadabra Positioning Tips..... | 9 |
| WARNING & SAFETY PRECAUTIONS | 10 |
| WARRANTY POLICY & MAINTENANCE..... | 11 |

RELEASES & AGREEMENTS

RELEASE OF LIABILITY, CLAIM WAIVER AND ASSUMPTION OF RISK AGREEMENT

RELEASE AND WAIVER OF CLAIMS AGREEMENT

In consideration of your use of this product, you hereby agree to the following, to the fullest extent permitted by law:

To waive any and all claims that you have or may have in the future against Naish International, a division of Nalu Kai Incorporated, or any of its agents, resulting from use of this product and any of its components.

To release Naish International, a division of Nalu Kai Incorporated, or any of its agents from any and all liability for any loss, damage, injury or expense that you or any users of this product may suffer, or that your next of kin may suffer, as a result of the use of this product, due to any cause whatsoever, including negligence or breach of contract on the part of Naish International, a division of Nalu Kai Incorporated, or any of its agents, in the design or manufacture of this product.

ARBITRATION

In further consideration of the sale to you of this product and any of its components, you hereby agree to submit to binding arbitration any and all claims, which you believe you may have against Naish International, a division of Nalu Kai Incorporated, or any of its agents, arising from the use of any of the Naish International/Nalu Kai Incorporated equipment. The arbitration shall be pursuant to the rules of the American Arbitration Association.

Arbitration shall be commenced within one (1) year from the date on which any alleged claim first arose. Further, the arbitration shall be held in Maui, Hawaii unless otherwise mutually agreed to by all parties. The submission to the American Arbitration Association shall be limited and the arbitration award may be enforced by any court of competent jurisdiction.

BINDING EFFECT OF AGREEMENT

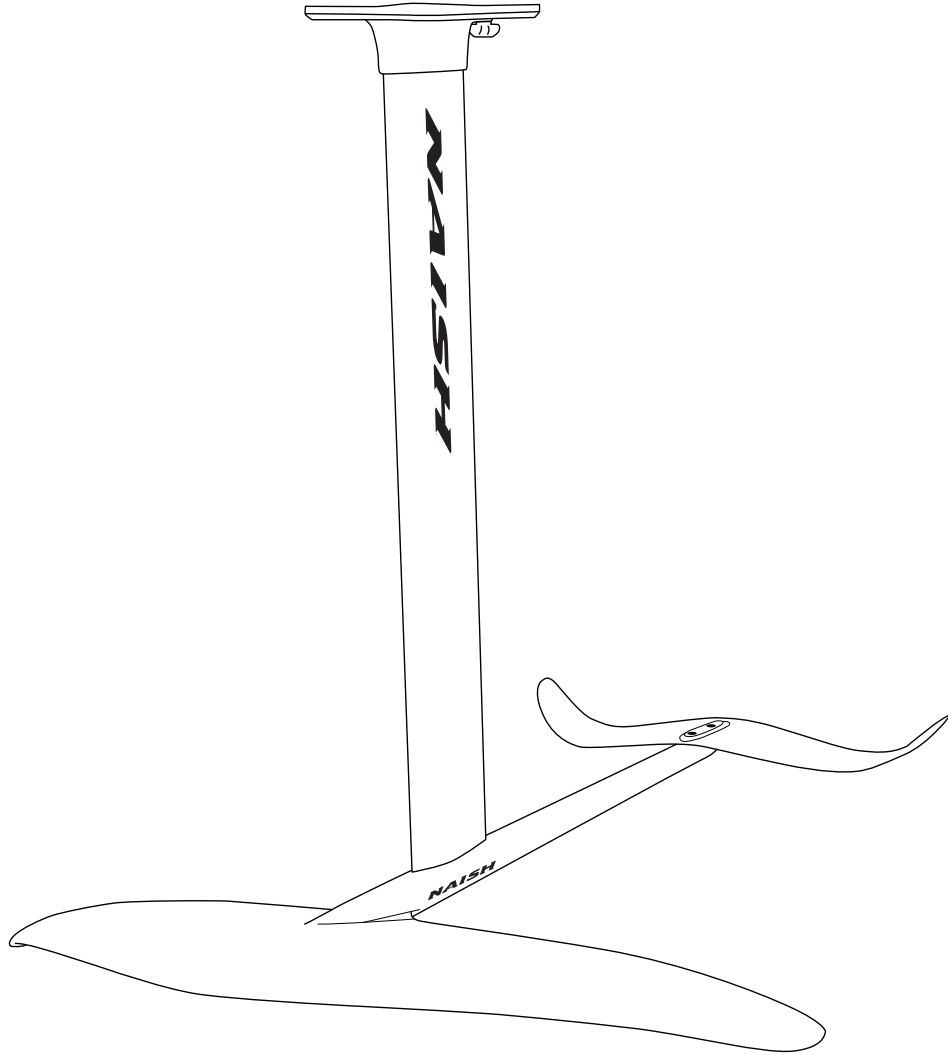
In the event of your death or incapacity, this Agreement shall be effective and binding upon your heirs, next of kin, executors, administrators, assigns and representatives.

ENTIRE AGREEMENT

In entering into this Agreement, you are not relying upon any oral or written representations other than what is set forth in this agreement and User's Guide.

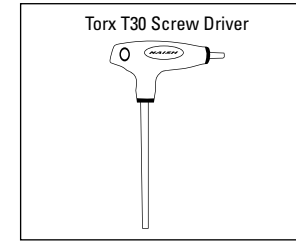
ASSUMPTION OF RISK

Use of this product and any of its components involves certain inherent risks, dangers and hazards, which can result in serious personal injury and death. In using this product you freely agree to assume and accept any and all known and unknown risks of injury while using this equipment. The risks inherent in the sport can be greatly reduced by abiding by the Warnings and Safety Precautions listed herein and by using common sense.



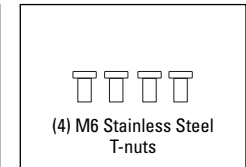
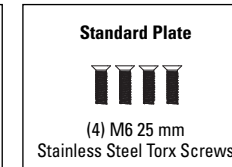
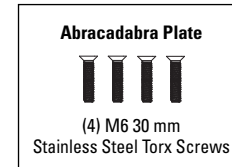
Shown: Naish Foil Complete–Abracadabra

ASSEMBLY TOOL

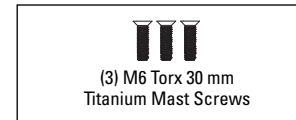


REQUIRED HARDWARE

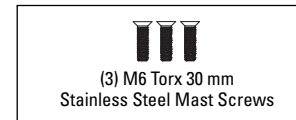
Attach the Base to the Board Using:



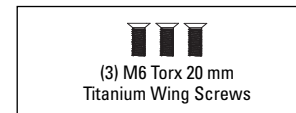
Attach the Base to the Mast Using:



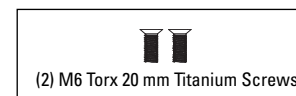
Attach the Mast to the Fuselage Using:



Attach the Front Wing to the Fuselage Using:



Attach the Adjustable Stabilizer Foil (rear wing) to the Fuselage Using:



ASSEMBLY INSTRUCTIONS

The Naish Foil System utilizes M6 bolts throughout. Remember that foils are utilized in a very corrosive marine environment; here are four important tips to maximize the life of your foil:

- 1) Whenever possible, apply anti-seizing compound to the screw threads before assembling.
- 2) Always use the Torx head screw driver to avoid damaging the screw slots.
- 3) Disassemble and rinse with fresh water after each use.
- 4) Greasy fingerprints, especially coated in sunscreen, can affect the performance of your foil mast. Clean it with pumice hand cleaner or a similar product for best performance.

It is easiest if you assemble your new foil for the first time in the order below:

A) ATTACH THE STABILIZER (REAR WING): With the fuselage right side up, foil mast slot upwards, position the stabilizer on the flat top surface of the fuselage with the wingtips upwards (you can also use the countersink on the screw holes to determine the correct orientation). Tighten until nice and snug using the Torx T30 screw driver.

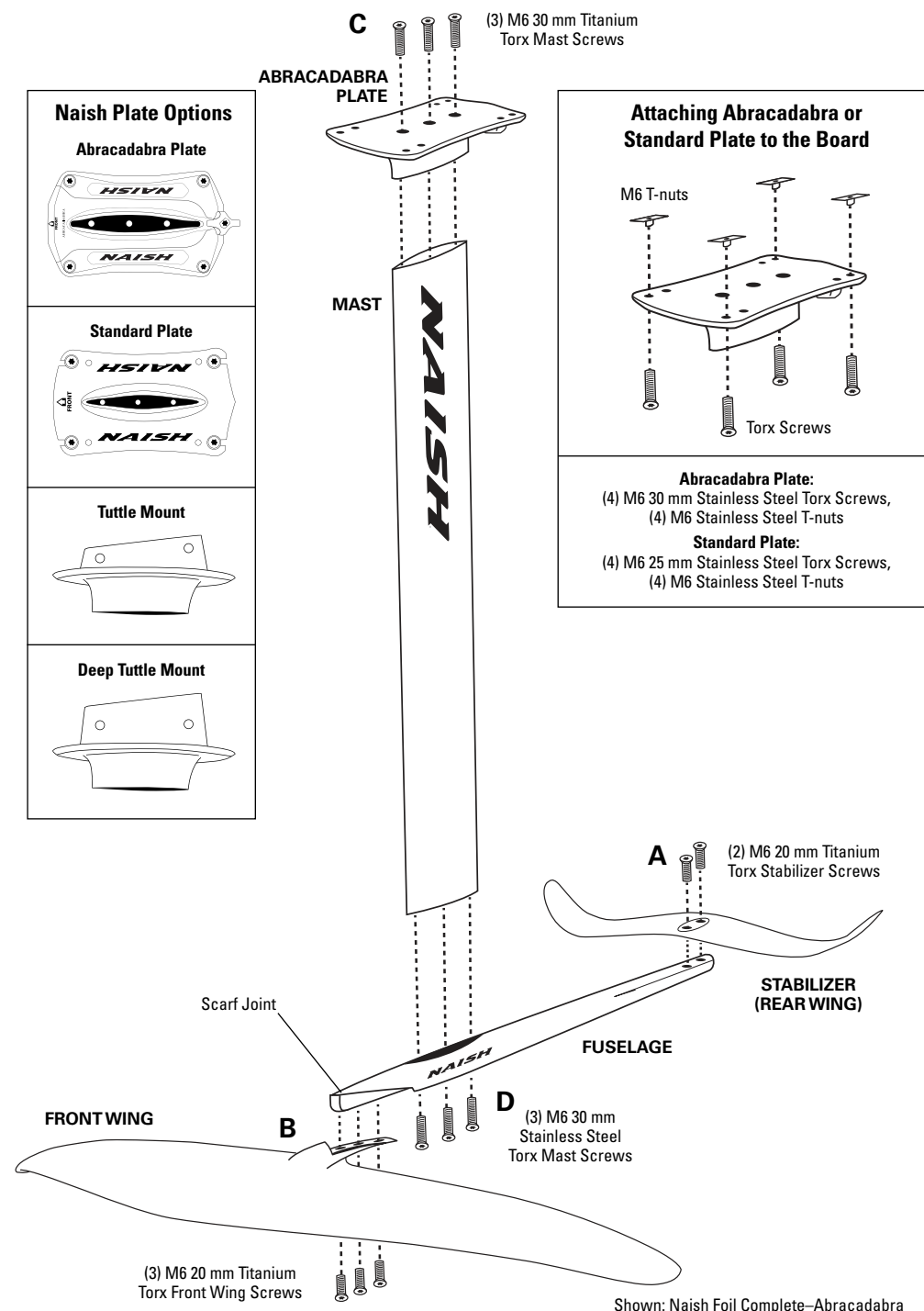
B) ATTACH THE FRONT WING: Turn the fuselage so it is bottom up, position the front wing (with logo down) to the scarf joint. Thread the M6 20 mm titanium center screw until hand-tight. Do the same with the other two screws.

C) ATTACH THE PLATE TO THE MAST: Using the (3) M6 30 mm titanium Torx screws, tighten beginning with the center screw first, then the front and finally the back screw.

D) ATTACH THE MAST/PLATE ASSEMBLY TO THE FUSELAGE: Insert the mast into the fuselage, then thread (3) M6 30 mm stainless steel Torx screws until hand-tight. As before, the final tightening order is center screw first, followed by front screw and then back screw.

FIND MORE INFORMATION AND ALL AVAILABLE PARTS ON NAISHFOILS.COM.

ASSEMBLY DIAGRAM



ABRACADABRA PLATE

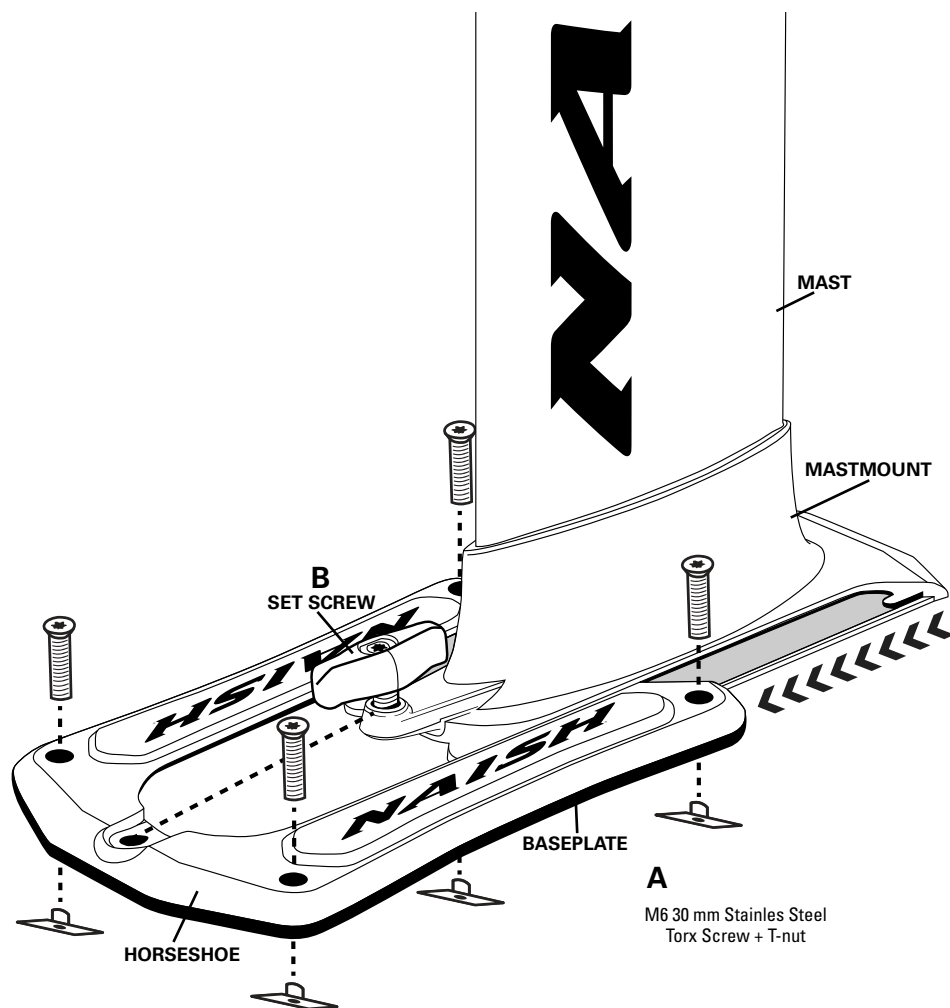
The Abracadabra plate system allows the baseplate configuration to be mounted to the board and taken off and on with one simple hand screw.

ASSEMBLY:

A) Screw the Abracadabra horseshoe and baseplate to the board in the desired position using the (4) M6 30 mm stainless steel Torx screws and the (4) T-nuts.

B) Slide the Abracadabra mastmount into the horseshoe and tighten the set screw firmly by hand.

ATTENTION: The set screw can also be tightened with the Torx T30 screw driver. For longer masts (75 cm and longer), always use the Torx T30 screw driver to tighten the set screw.

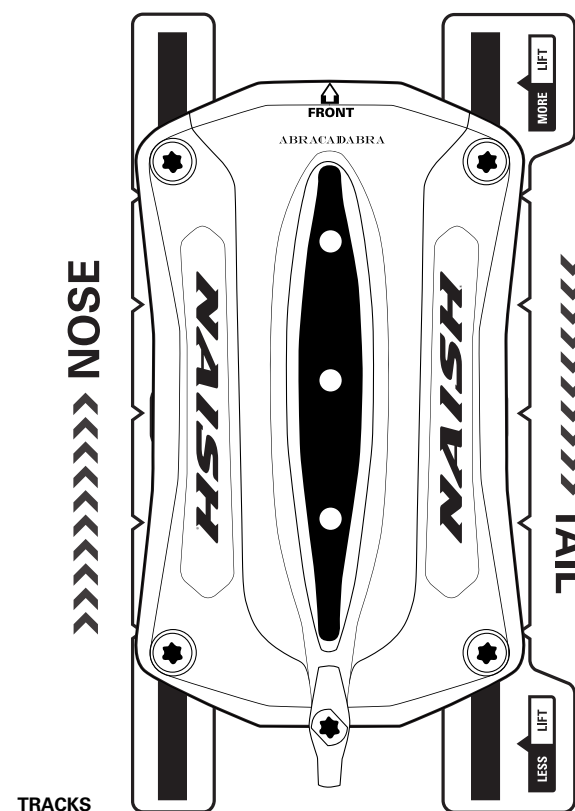


ABRACADABRA POSITIONING TIPS

Moving the Abracadabra system towards the **nose** of the board will **increase lift in relation to the stance position** on the board

Moving the Abracadabra system towards the **tail** of the board will **decrease lift in relation to the stance position** on the board

HEAD-ON VIEW OF UNDERSIDE OF BOARD WITH ABRACADABRA BOARDMOUNT, SHOWING NO MAST ATTACHED.



WARNING & SAFETY PRECAUTIONS

READ THE FOLLOWING POINTS BEFORE ASSEMBLING YOUR FOIL:

WARNING & SAFETY

HYDROFOILING IN ANY WATER SPORT CAN BE DANGEROUS AND UNPREDICTABLE IN CHANGING CONDITIONS. THE USER OF THIS PRODUCT SHOULD UNDERSTAND THAT PARTICIPATING IN ANY FOILING ACTIVITY COULD CAUSE INJURY OR DEATH TO YOU AND/OR OTHERS AROUND YOU.

OBSERVE THE FOLLOWING SAFETY STANDARDS WHENEVER USING THIS PRODUCT:

- Foiling is a dangerous sport.
- Always use extreme caution when using this product.
- Misuse of this product can cause serious injury or death.
- Never use this product unless you are in good physical health.
- Never use this product unless you are an experienced swimmer.
- Never act in a careless manner when using this product.
- We do not recommend hydrofoiling in breaking surf. Use extreme caution if you do.
- You are responsible for your own safety and the safety of others around you when using this product.
- If you are under the age of 18, you must have your parents or legal guardian read these warnings and instructions.
- If you are under 18 years of the age, you must not use this product without proper guidance and supervision by your parents or legal guardian.
- Use of this product exposes the user to unexpected and unavoidable risks, dangers and hazards.
- Do not use this product if you are under the influence of alcohol, drugs or medications.
- Never use this product in thunderstorm and/or lightning conditions.
- Never use this product in conditions that are above your ability level.
- Make sure you take lessons before using this product on the water.
- Always observe local rules and regulations when using this product.
- Always be aware of your surroundings including any people, watercrafts and obstacles above and below the water.
- Steer clear of crowded line-ups and densely populated waters.
- Be aware of water depth and how deep your foil extends.
- Avoid shallow reef and other areas in which your foil may come into contact with other objects.

WARRANTY POLICY

Naish warrants this product to be free from major defects—in material or workmanship—to the original purchaser for a period of one year from the date of purchase.

This warranty is subject to the following limitations:

The warranty is valid only when the product is registered in the warranty section of naishfoils.com within seven (7) days from the date of purchase.

The warranty is valid only when this product is used for normal recreational activities and does not cover products used in rental or teaching operations.

Naish will make the final warranty determination, which may require inspection and/or photos of the equipment, which clearly show the defect(s). If necessary, this information must be sent to the Naish distributor in your country—postage prepaid. Product may be returned only if a return authorization number (RAN) is given in advance by the Naish distributor. The RAN number must be clearly labeled on the outside of the package or it will be refused.

If a product is deemed to be defective by Naish, the warranty covers the repair or replacement of the defective product only. Naish will not be responsible for any costs, losses or damages incurred as a result of loss of use of this product.

This warranty does not cover damage caused by misuse, abuse, neglect or normal wear and tear including, but not limited to: punctures, rigging with other than Naish components, damage due to excessive sun exposure, damage caused by improper handling and storage, damage caused by use in waves or shore break, or damage caused by anything other than defects in material and workmanship.

This warranty is void if any unauthorized repair, change or modification has been made to any part of the equipment.

The warranty for any repaired or replaced equipment is good from the date of the original purchase only.

The original purchase receipt must accompany all warranty claims. The name of the retailer and date of purchase must be clear and legible.

There are no warranties which extend beyond the warranty specified herein.

MAINTENANCE REMINDER:

The Naish Foil System utilizes M6 bolts throughout. Remember that foils are utilized in a very corrosive marine environment; here are four important tips to maximize the life of your foil:

- 1) **Whenever possible, apply anti-seizing compound to the screw threads before assembling.**
- 2) **Always use the Torx head screw driver to avoid damaging the screw slots.**
- 3) **Disassemble and rinse with fresh water after each use.**
- 4) **Greasy fingerprints, especially coated in sunscreen, can affect the performance of your foil mast. Clean it with pumice hand cleaner or a similar product for best performance.**

naishfoils.com

© 2019 Naish International, a division of Nalu Kai Incorporated